

Beer  
3,-€

## » Storage, transportation and stacking tank ST-T

Speidel's ST-T tank for storage, transportation and stacking is truly versatile. Up to three of the tanks can be stacked on one another even when filled. Yet, with the appropriate supplementary equipment they allow even more applications. If ordered for example with mash door and double jacket, the ST-T is ideally suited for the processing of mash.

The stable stainless steel framework is accessible from four sides by forklift / pallet truck. To guarantee even higher safety during transportation by forklift the tanks have additional fork lift receptacles that can be accessed from underneath from two sides. By default, the top end is made of AISI 316 material.



### APPLICATION RANGE (PRESSURELESS)

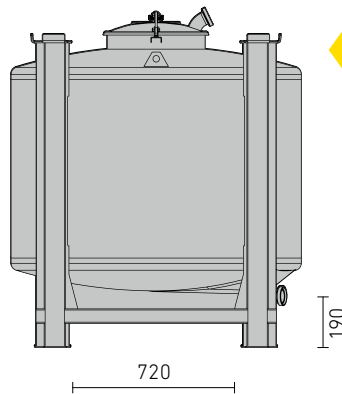
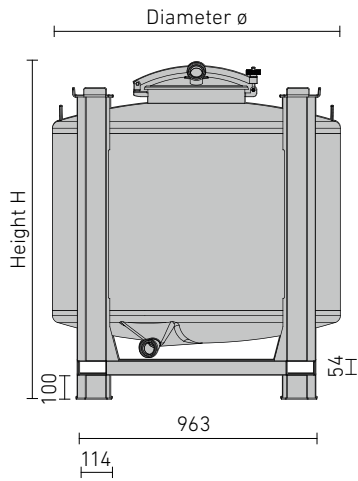
- › Storage
- › Transportation
- › Maturation
- › Fermentation
- › Processes

- Ideal for
- › Beer
  - › Soft drinks
  - › Alcoholic drinks

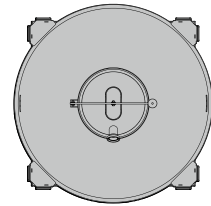
**STANDARD EQUIPMENT FOR STORAGE, TRANSPORTATION AND STACKING TANK ST-T**

- › Tank shell and tank bottom are made of AISI 304 stainless steel, surface IIIId (2R), marbled outside
- › Tank top made of AISI 316 stainless steel, surface IIIId (2R), marbled outside
- › Vaulted tank top with lifting lugs
- › With filler neck 400 mm, flap lid with outer clamp fastener, with stainless steel vent neck NW 50 DIN 11851 with sealing cap
- › Vaulted tank bottom with discharge outlet external thread NW 50 DIN 11851
- › With stable stainless steel framework, accessible from four sides by forklift / pallet truck
- › Additionally accessible from two sides with forklift receptacles 120 x 60 mm, internal dimension shape 114 x 54 mm
- › Stackable a maximum of three filled tanks

**DIMENSIONS OF STORAGE, TRANSPORTATION AND STACKING TANK ST-T**



**Please pay attention to the internal dimensions of the forklift profiles**



Capacity	ø Tank	H	Order No.
litres	mm	mm	
1,000	1,200	1,435	ST-T-120-1000

